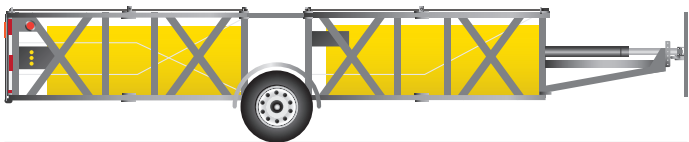


Trailer Mounted Attenuators



SST[®]



TRINITY
HIGHWAY

Ahead of the Curve™

SST®

The SST® is a trailer mounted attenuator for use on stationary or moving shadow support vehicles. The SST has passed all mandatory and optional testing and is NCHRP Report 350 Test Level 3 compliant. The system is comprised of two light-weight aluminum cartridges contained in a steel support frame, heavy duty Torflex® axle and wheels, with anti-rotational dampeners which lock upon impact. The SST helps to absorb rear-end impacts at speeds up to 62 mph (100 km/h).



LOW MAINTENANCE

Features

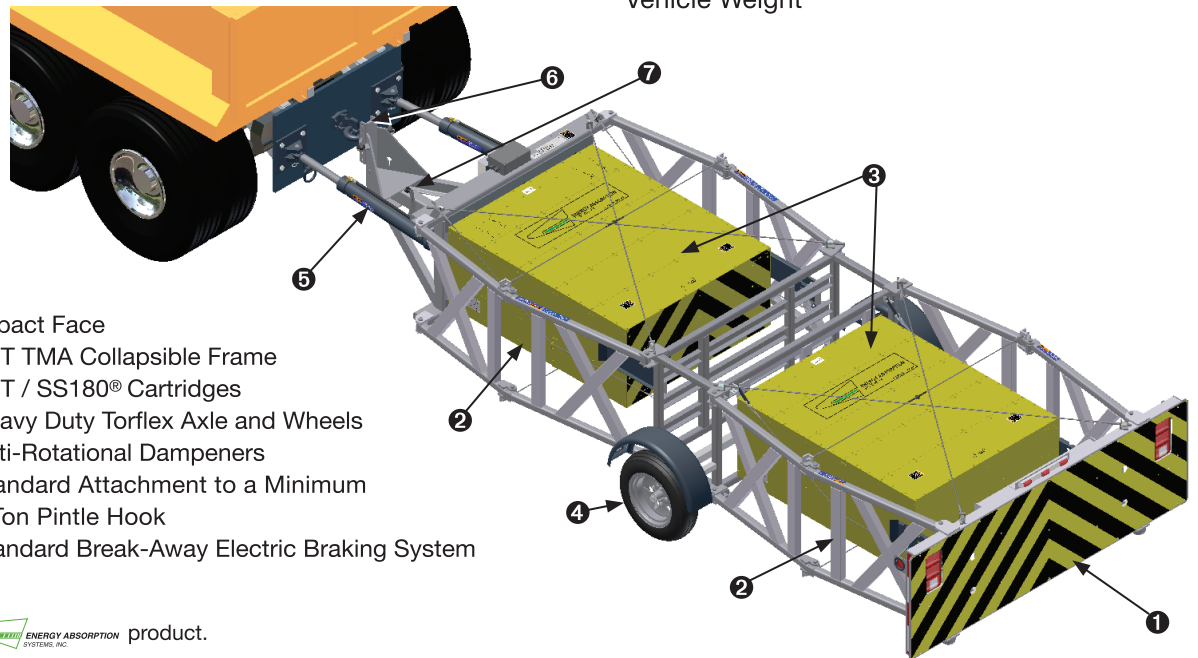
- Trailer system enables rapid deployment and maximum truck fleet utilization.
- Anti-rotational dampeners minimize rotation of unit when impacted according to NCHRP Report 350 crash test standards.
- Heavy duty Torflex axle and wheels.
- Optional tested arrow board mounting systems.
- Withstands typical low-speed nuisance hits up to 6 mph (10 km/h).
- Potentially reusable steel frame.

Mounting and Repair Advantages

- Easy mounting and removal.
- Attaches to a standard minimum 8 ton pintle hook with additional mounting brackets for the anti-rotational dampeners.

Specifications

- 18'11" (5.77 m) Length
- 7'9" (2.36 m) Width
- 3'9" (1.14 m) Height
- 2,606 lbs (1,182 kg)
- 9,920 lbs (4,500 kg) Minimum Support Vehicle Weight



- 1 Impact Face
- 2 SST TMA Collapsible Frame
- 3 SST / SS180® Cartridges
- 4 Heavy Duty Torflex Axle and Wheels
- 5 Anti-Rotational Dampeners
- 6 Standard Attachment to a Minimum 8 Ton Pintle Hook
- 7 Standard Break-Away Electric Braking System

An original  ENERGY ABSORPTION SYSTEMS, INC. product.

Distributed by:

 **Coral Sales Co.**
Highway Safety Solutions

P. 503-655-6351 » F. 503-657-9649

www.coralsales.com

PO Box 22385 Portland, OR 97269-2385

5-14

www.trinityhighway.com
1.888.323.6374

